

## The Model T477W Bonding Meter is a self-contained AC resistance meter specifically designed to test very low resistance electrical bonds.

Ideal for aircraft system bonding testing. The unit is contained in a protective carrying case complete with the C22161 pistol grip probe set, battery charger, and operator's manual.

Power is obtained from a rechargeable battery pack. Battery capacity is adequate for eight (8) hours of continuous operation. Power is conserved by a 52 second timer which automatically powers down the display. Operation and display are initiated by depressing the TEST button. Built-in display illumination provides for use at nighttime or with inadequate ambient light. These features allow high accuracy and simplified set-up.

- UL Approved. Std. 913, Cl. 1, Groups A, B, C, or D
- Intrinsically Safe
- Battery Powered
- Liquid Crystal Display
- Pistol Grip Probe Set (C22161)



The low voltage and current output will not cause ignition of flammable gas, as certified by Underwriters Laboratories per UL 913, standard entitled "Intrinsically Safe Apparatus and Associated Apparatus, for use in Class I, II, and III, Division I Hazardous Installation." The meter is approved for use in Class I, Groups A, B, C, or D, which includes hydrogen and gasoline flammable vapors.

The Model T477W Bonding Meter is designed to accurately measure resistance, less than 2.0 ohms, as required by electrical bonds. The unit is approved for use in hazardous environments such as around aircraft, fuel installations, fuel cells, and gas systems.

Four resistance ranges are provided for measurement sensitivity. These are 2, 20, 200 and 2000 milliohms full scale. Operation of the TEST button automatically changes the range to the next highest range each time it is depressed. Continued operations of the TEST button re-cycle the range changes.

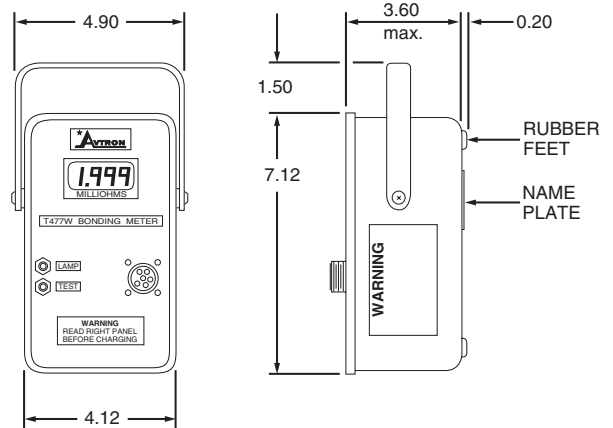
Resistance measurements are made using a pistol grip probe connection. The pistol grip probe set (P/N C22161) is easy to use with convenient pistol grips for firm control and needle points for sure penetration of surface coatings. This probe set is also easy to use in tight areas such as around wing tanks.

# T477W Bonding Meter

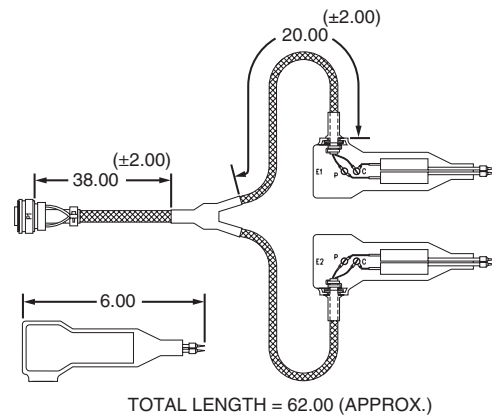


## DIMENSIONS

### T477W Bonding Meter



### Probe (C22161)



## SPECIFICATIONS

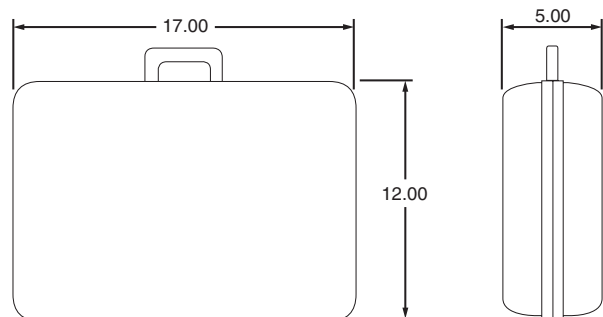
<b>Display:</b>	Digital Liquid Crystal
<b>Basic Accuracy:</b>	± 1% of Reading
<b>Sensitivity:</b>	3 1/2 Digits (i.e. ± 0.001 of Rdg)
<b>Ranges:</b>	0 to 1.999 Milliohms 0 to 19.99 Milliohms 0 to 199.9 Milliohms 0 to 1999. Milliohms
<b>Output:</b>	0.1 VAC max. or 200 mA AC max.

## ACCESSORIES

Interchangeable **Probe Sets C15478, C15479, C15480, and C16695** are also available for purchase. Each interchangeable probe set sold separately.

**K777 (P/N C15923) Calibration Test Fixture** provides a convenient method of conducting a field performance check of the T477W Bonding Meter. This optional calibration standard is available for purchase but sold separately.

### Carrying Case



**Avtron Aerospace Headquarters**  
7900 East Pleasant Valley Road  
Cleveland, Ohio 44131-5529 U.S.A.  
Tel: 216-642-1230 • Fax: 216-750-5107  
www.avtronaero.com

**Sales:** aerospacesales@avtron.com  
**Service & Product Support:**  
aerospacesupport@avtron.com

**Asia Inquiries:**  
Avtron Aerospace Asia  
Room 334, El Yuanchenxin Building  
12 Yumin Road  
Chaoyang District  
Beijing, China 100029  
Tel: 8610-82250836  
Email: aerosalesasia@avtron.com  
Web: www.avtronaero.cn

**Europe, Middle East & African Inquiries:**  
Regional Sales Manager  
Tel: +44-7778-677600  
Email: aerosalesumea@avtron.com

*Specifications and features are subject to change without notice.  
All dimensions are in inches.*